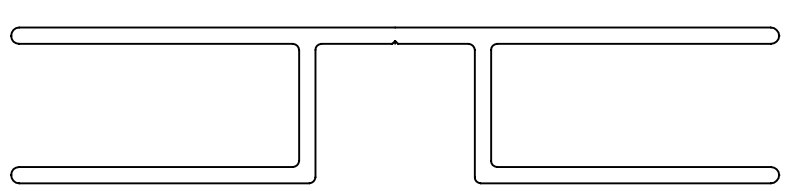
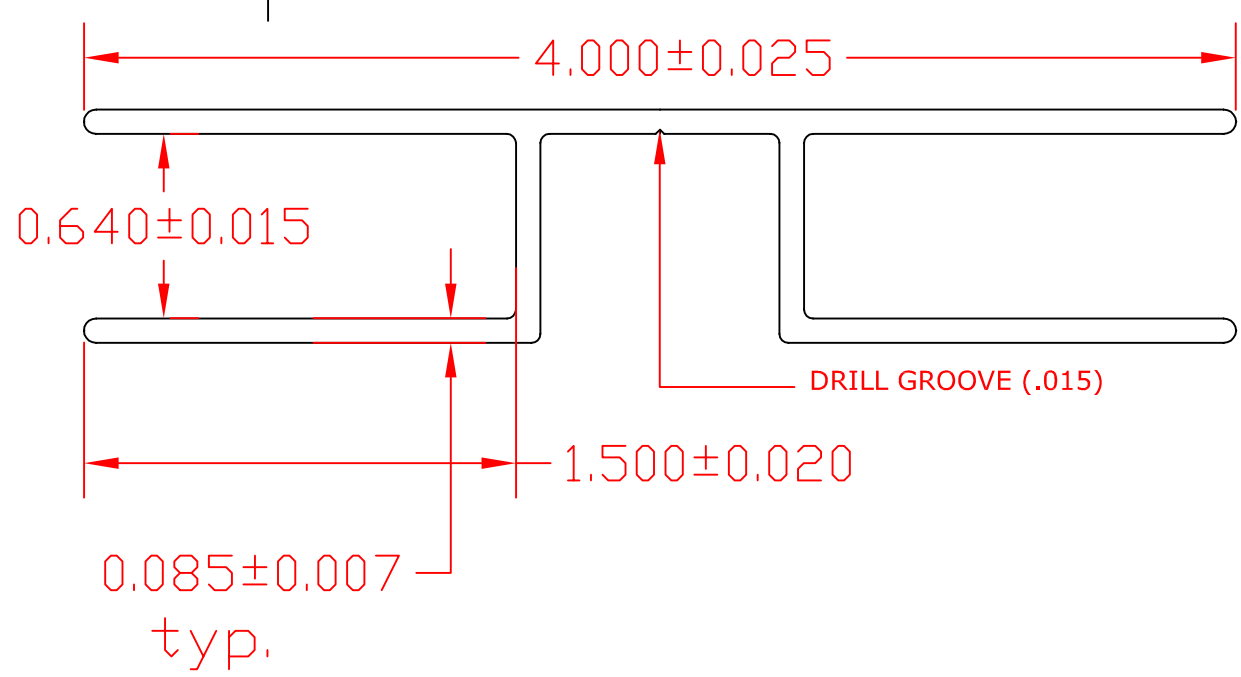


REVISIONS				
ZONE	REV	DESCRIPTION	DATE	APPROVED



Actual Size

ALLOY: 6063-T5 FINISH: MILL		PSI EXTRUSIONS OLNEY, TX		
		DIVIDER		
SIZE	FSCM NO.	DWG NO.	LSP-001	
SCALE	SHEET		1 OF 1	